



Brunel
University
London

ESCI
European Science
Communication Institute



UNIMORE
UNIVERSITÀ DEGLI STUDI DI
MODENA E REGGIO EMILIA

Three Partners - One Goal: Impactful Heat Transfer Solutions

Elmar Bartlmae (ESCI)

ETEKINA (2017-2022)



43% Heat Recovery

19 months



41% Heat Recovery

Return of Investment (RoI)

36 months



47% Heat Recovery

9 months

iWAYS (2022-2025)

Industrial Test Applications (Demo Sites):

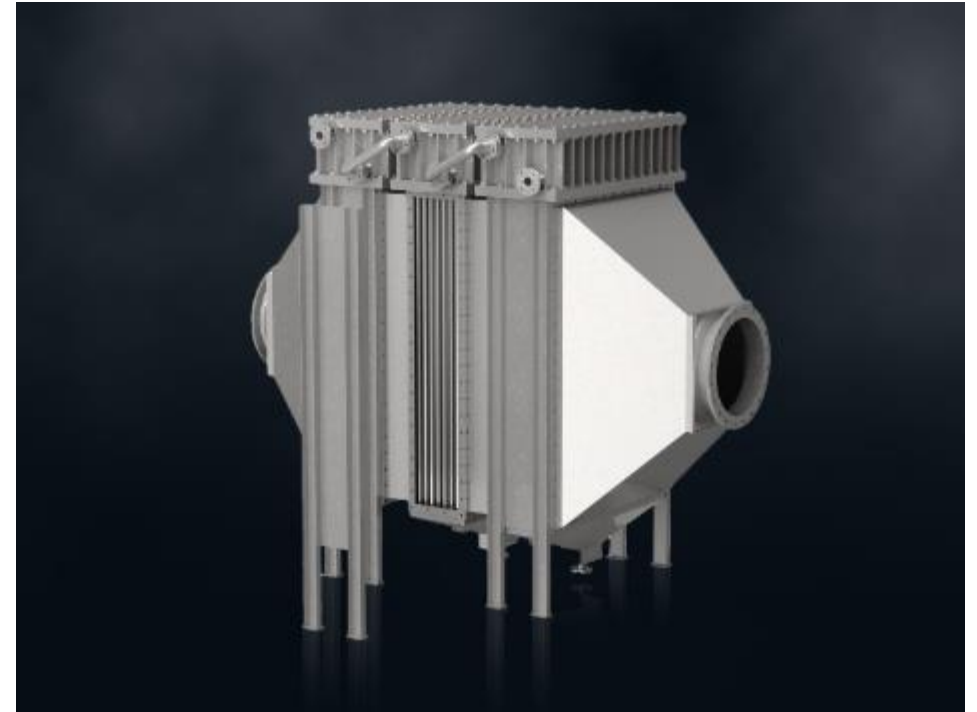
 Chemical Industry (Sweden)

 Steel Processing (Spain)

 Ceramics (Italy)

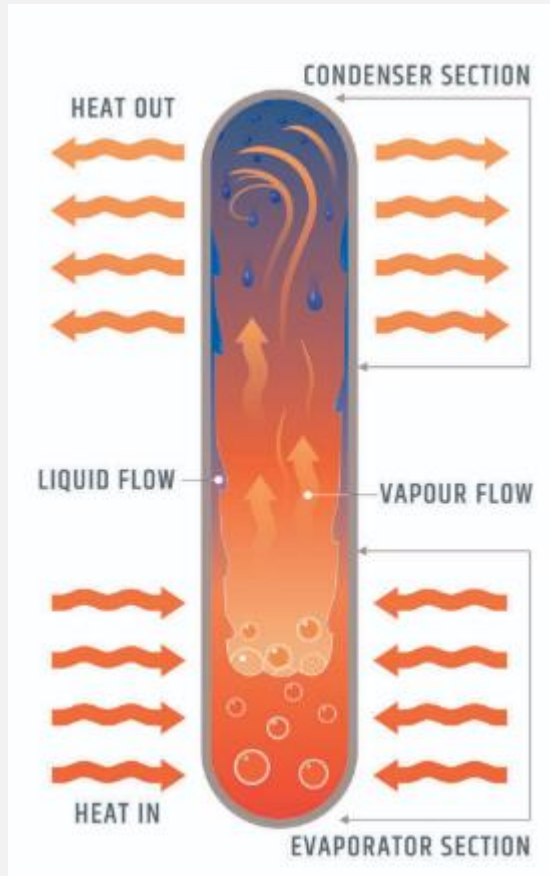
Key Performance Indicators (KPI):

- Heat recovery **20-80%**
- Water recovery **5 – 55%**
- Pollutant reduction **60%**
- RoI expected to be **less than 36 months**

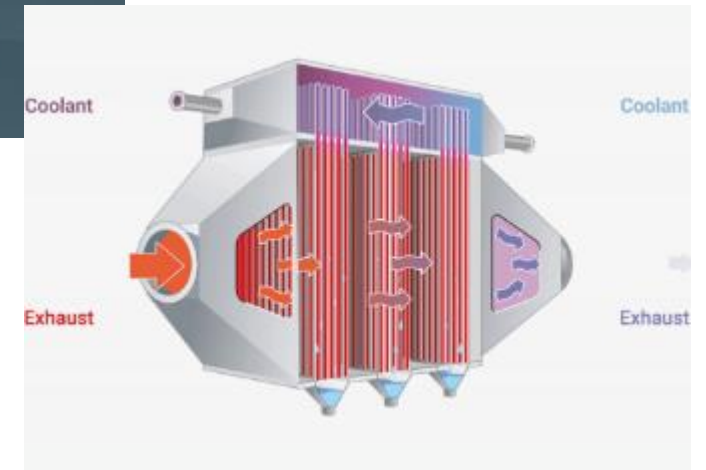
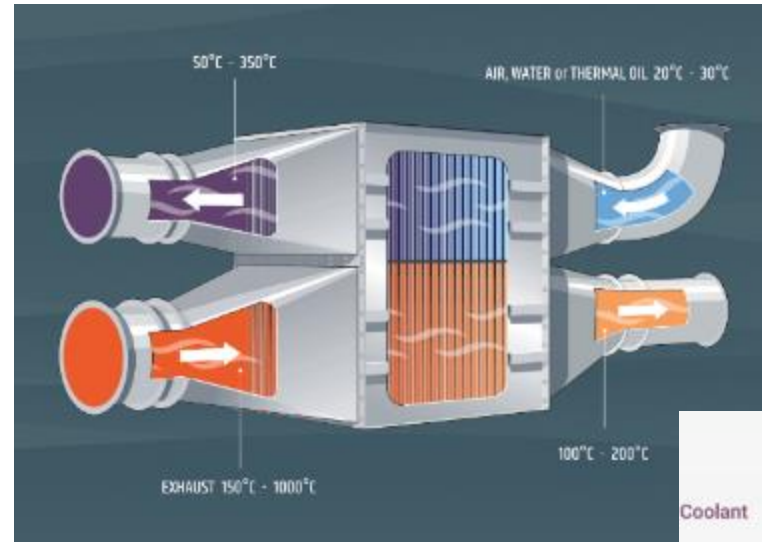


Heat Pipe Technology

What are Heat Pipes?



Units with Heat Pipes



Heat Transfer Technologies using Heat Pipes

For energy intensive industries:

- Heat Exchangers (e.g. ETEKINA, iWAYS)
- Heat Pumps
- Thermal Storage Solutions

Your project?

For small applications:

- Battery Thermal Management
- PV Units
- Product Temperature Management

Your innovation?

What are we bringing to the table?



Heat Transfer Solutions



**Flow Processes &
Project Coordination**



**Communication
Agency (non-profit)**

Impact maximisation of your proposal by adding

- Cutting Edge **Heat Transfer Solutions**
- Professional **Flow Simulations**
- **Coordination** of Horizon projects
- **Carbon Footprint & Environmental Certification**
- **Life Cycle Assessment (LCA)**
- Professional **Communication and Dissemination**
- Large international **network of industry partners**

Contact: Elmar Bartlmae – eb@esci.eu
www.esci.eu

